

LUBRICATION ORDER

LO 5-6115-456-12

27 JULY 1978 (Supersedes LO 5-6115-456-12, 2 August 1968)

ELECTRIC POWER PLANTS, D.E.D., SKID MOUNTED, 1500KW, 4160 VOLTS, AC (ELECTROMOTIVE MODEL MP36A-60 HERTZ) AND 1250KW, 4160 VOLTS, AC (ELECTROMOTIVE MODEL MP36A-50 HERTZ) W/GMC ENGINE MODEL 16-576 E4

Reference C9100-IL

Intervals and related task-hour times are based on normal hours of operation. The task-hour time specified is the time you need to do all the services prescribed for a particular interval. Change the interval if your lubricants are contaminated or if you are operating the equipment under adverse operating conditions, including longer-than-usual operating hours. You may extend the interval during periods of low activity, but you must take adequate preservation precautions.

*The time specified is the time required to perform all services at the particular interval.

Clean fittings before lubricating. Clean parts with SOLVENT.

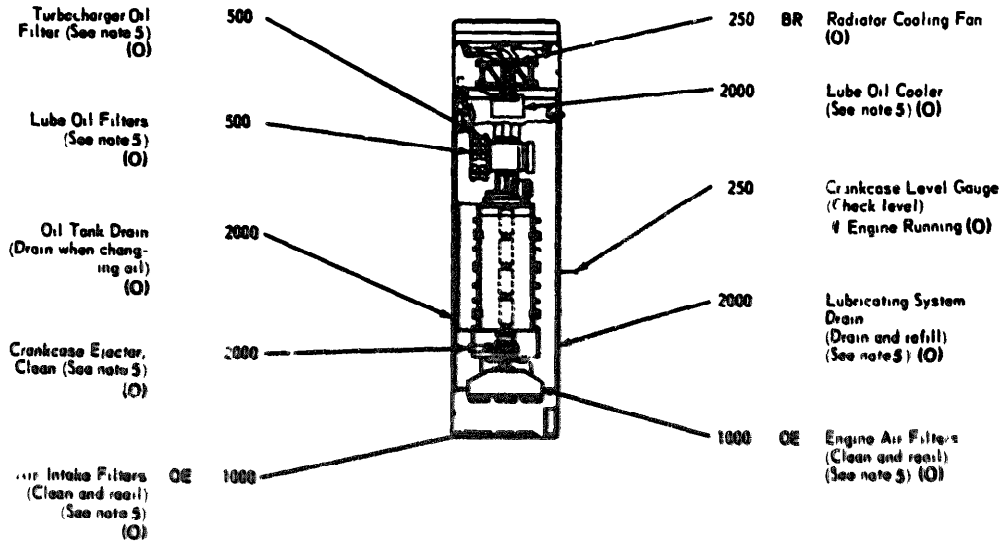
dry cleaning, or with OIL, fuel, diesel. Dry before lubricating. Drain crankcase when HOT. Fill and check level. The lowest level of maintenance authorized to lubricate a point is indicated by one of the following: (C) Operator/crew, or (O) Organizational Maintenance.

You can help improve this publication. If you find any mistake or if you know of a way to improve the procedures, please let us know. Your letter or DA Form 2028 (Recommended Changes to Publications and Blank Forms) should be mailed directly to: Commander, U S Army Troop Support & Aviation Materiel Readiness Command, ATTN DRSTS-MTPS, 4300 Goodfellow Blvd St Louis, MO 63120. A reply will be furnished to you.

| *TOTAL TASK-HR | | *TOTAL TASK-HR | |
|----------------|---------|----------------|---------|
| INTERVAL | TASK HR | INTERVAL | TASK HR |
| 250 | | 1000 | |
| 500 | | 2000 | |

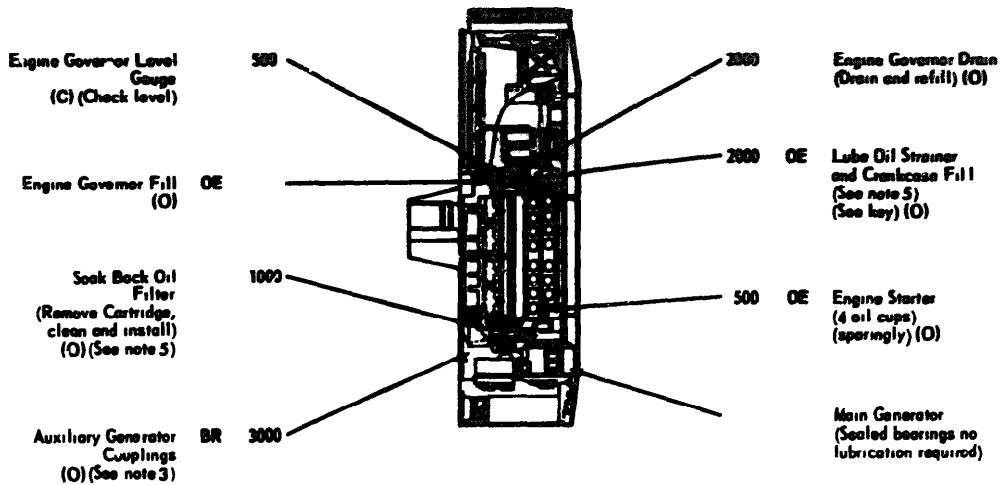
LUBRICANT • INTERVAL

INTERVAL • LUBRICANT



LUBRICANT @ INTERVAL

INTERVAL @ LUBRICANT



NOTES.

1. FOR OPERATION OF EQUIPMENT IN PROTRACTED COLD TEMPERATURES BELOW -10°F (-23°C) Remove lubricants prescribed in the key for temperatures above -10°F (-23°C). Clean parts with SOLVENT, dry-cleaning. Relubricate with lubricants specified in the key for temperatures below -10°F (-23°C)

2. OIL FILTERS. After installing new oil filter element, fill crankcase, operate engine 5 minutes, check filter housing for leaks, check crankcase oil level, and bring to full mark.

3. AUXILIARY GENERATOR COUPLING Rotate coupling until plug opening is on the horizontal center line. Remove both pipe plugs and install lube fitting to one opening only. Add lubricant until level with vent opening. Remove fitting and install plugs.

4. OIL CAN POINTS. Every 500 hours lubricate door hinges, door locks, ventilating fan motors, and all control linkages with OE.

Distribution: DA Form 12-25d, Operator maintenance for Generator Sets, Engine Driven, over 200 KW.

5 SEE OPERATING MANUAL AND ENGINE MAINTENANCE MANUAL For detailed instructions for servicing the engine lubricating system, crankcase, filters, strainers, air cleaners, oil cooler, oil separator, turbocharger oil filter and soak back filter.

Copy of this Lubrication Order will remain with the equipment at all times, instructions contained herein are mandatory

BY ORDER OF THE SECRETARY OF THE ARMY
 BERNARD W ROGERS
 General, United States Army
 Chief of Staff

OFFICIAL:
 J. C. PENNINGTON
 Brigadier General, United States Army
 The Adjutant General

— KEY —

| LUBRICANTS | REFILL CAPACITY (APP) | EXPECTED TEMPERATURES | | | INTERVALS |
|--|-----------------------|--|---|--|--|
| | | Above $+32^{\circ}\text{F}$ Above 0°C | $+40^{\circ}\text{F}$ to -10°F $+5^{\circ}\text{C}$ to -23°C | 0°F to -65°F -18°C to -50°C | |
| OE (MIL-L-2104C) OIL, Engine, Heavy Duty | | OE/MDO 40 | OE 10 | OEA | Intervals given are in hours of normal operation |
| Engine Crankcase | 370 gal (1400.4L) | | | | |
| Air Cleaner | | | | | |
| Oil Can Points | | | | | |
| Engine Governor | 1 1/2 qt (1.42L) | | | | |
| OEA (MIL-L-46187) OIL, Engine, Subzero | | ALL TEMPERATURES | | | |
| BR (MIL-G-18700A) GREASE, Ball & Roller Bearings | | ALL TEMPERATURES | | | |

END

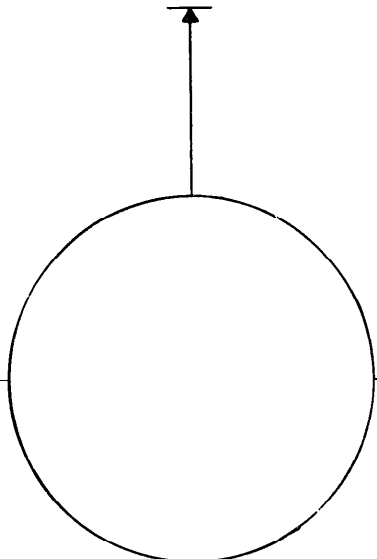
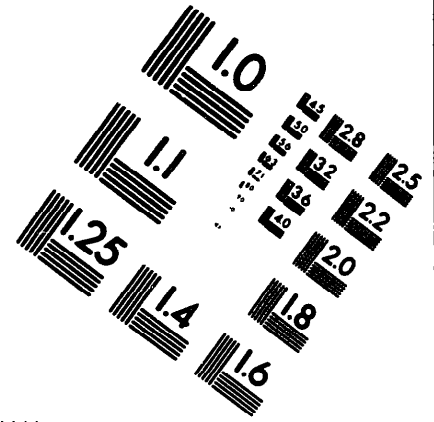
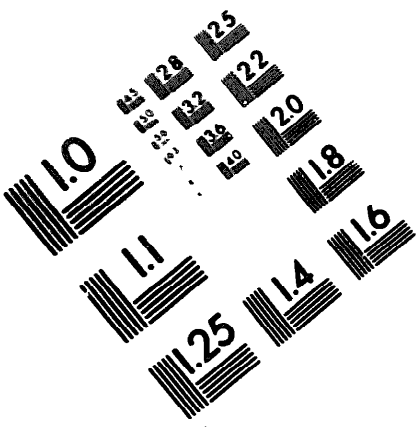
7-14-83

DATE





DEPARTMENT OF THE ARMY
MICROFORM
TEST TARGET



150 MM

1.0 mm (e= .81 mm)

ABCDEFGHIJKLMN OPQRSTUVWXYZ 1234567890
abcdefghijklmnopqrstuvwxyz \$%& /%# 1/2 1/4 3/4 —=+ x&@*

1.5 mm (e= 1.09 mm)

ABCDEFGHIJKLMN OPQRSTUVWXYZ 1234567890
abcdefghijklmnopqrstuvwxyz \$%& /%# 1/2 1/4 3/4 —=+ x&@*

2.0 mm (e= 1.57 mm)

ABCDEFGHIJKLMN OPQRSTUVWXYZ
abcdefghijklmnopqrstuvwxyz
1234567890 \$%& /%# 1/2 1/4 3/4 —=+ x&@*

2.5 mm (e= 1.77 mm)

ABCDEFGHIJKLMN OPQRSTUVWXYZ
abcdefghijklmnopqrstuvwxyz
1234567890 \$%& /%# 1/2 1/4 3/4 —=+ x&@*

1.0 mm (e= .81 mm)

ABCDEFGHIJKLMN OPQRSTUVWXYZ 1234567890
abcdefghijklmnopqrstuvwxyz \$%& /%# 1/2 1/4 3/4 —=+ x&@*

1.5 mm (e= 1.09 mm)

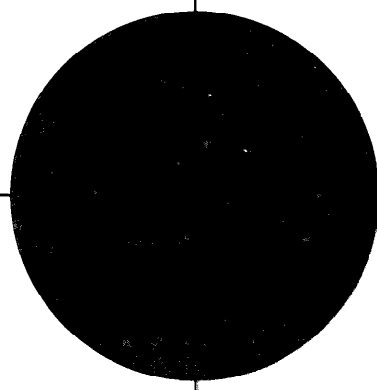
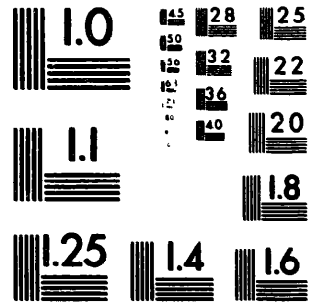
ABCDEFGHIJKLMN OPQRSTUVWXYZ 1234567890
abcdefghijklmnopqrstuvwxyz \$%& /%# 1/2 1/4 3/4 —=+ x&@*

2.0 mm (e= 1.37 mm)

ABCDEFGHIJKLMN OPQRSTUVWXYZ
abcdefghijklmnopqrstuvwxyz
1234567890 \$%& /%# 1/2 1/4 3/4 —=+ x&@*

2.5 mm (e= 1.77 mm)

ABCDEFGHIJKLMN OPQRSTUVWXYZ
abcdefghijklmnopqrstuvwxyz
1234567890 \$%& /%# 1/2 1/4 3/4 —=+ x&@*



200 MM

250 MM

